

# User Manual

---

• HM-500T • HM-600T • HM-700T • HM-800T

---



**About Microinverter**

This system is composed of a group of Microinverters that convert direct current (DC) into alternating current (AC) and feeds it into the public grid. The system is designed for the incorporation of one Microinverter for two photovoltaic modules. Each Microinverter works independently that guarantees the maximum power generation of each photovoltaic module. This setup enables user to control the production of a single photovoltaic module directly, consequently improving the flexibility and reliability of the system.

**About the Manual**

This manual contains important instructions for the HM-500T/HM-600T/HM-700T/HM-800T Microinverter and must be read in its entirety before installing or commissioning the equipment. For safety, only qualified technician, who has received training or has demonstrated skills can install and maintain this Microinverter under the guide of this document.

**Other Information**

Product information is subject to change without notice. User manual will be updated frequently, please refer to Hoymiles official website at [www.hoymiles.com](http://www.hoymiles.com) for the latest version.

## Contents

1. Important Notes .....	5
1.1 Product Range.....	5
1.2 Target Group.....	5
1.3 Symbols Used.....	5
2.1 Important Safety Instructions.....	5
2.2 Explanation of Symbols.....	6
2.3 Radio Interference Statement .....	7
3. About Product .....	7
3.1 About 2 in 1 Unit.....	7
3.2 Highlights.....	8
3.3 Terminals Introduction .....	8
3.4 Dimension(mm) .....	8
4. About Function.....	9
4.1 Work Mode.....	9
5. About Installation .....	9
5.1 Accessories.....	9
5.2 Installation Precaution .....	9
5.3 Space Distance Required .....	10
5.4 Grounding Consideration.....	10
5.5 Preparation.....	11
5.6 Pre-installation.....	12
5.7 Installation Steps .....	12
6. Troubleshooting .....	16
6.1 Troubleshooting List .....	16
6.2 Status LED Indicator.....	19
6.3 Insulation Resistance Detection.....	20
6.4 On-site Inspection (For qualified installer only) .....	20
6.5 Routine Maintenance.....	21
6.6 Replace Microinverter.....	22
7. Decommissions.....	23
7.1 Decommissions .....	23
7.2 Storage and Transportation.....	23

7.3 Disposal .....	23
8. Compliance Consideration .....	24
8.1 Earth Fault Alarm Notification.....	24
8.2 Power Quality Response Modes .....	24
8.3 Country Grid Code Selecting.....	24
8.4 DRM .....	24
9. Technical Data .....	25
9.1 DC Input.....	25
9.2 AC Output.....	25
9.3 Efficiency, Safety and Protection .....	26
9.4 Mechanical Data.....	26
9.5 Features.....	26
Appendix 1: .....	28
Installation Map .....	28
Appendix 2: .....	29
WIRING DIAGRAM – 230VAC SINGLE PHASE:.....	29
WIRING DIAGRAM – 230VAC / 400VAC THREE PHASE:.....	30

## 1. Important Notes

### 1.1 Product Range

This manual describes the assembly, installation, commissioning, maintenance and failure search of the following model of Hoymiles Microinverter:

- HM-500T
- HM-600T
- HM-700T
- HM-800T




*\*Note: "500" means 500W, "600" means 600W, "700" means 700W, "800" means 800W.*

### 1.2 Target Group

This manual is only for qualified technician, who has been trained or has demonstrated skills can install and maintain this Microinverter under the guide of this document for safety purpose.

### 1.3 Symbols Used

The safety symbols in this user manual are show as below.

Symbol	Usage
	Indicates a hazardous situation that can result in deadly electric shock hazards, other serious physical injury, or fire hazards.
	Indicates directions which must be fully understood and followed in entirety in order to avoid potential safety hazards including equipment damage or personal injury.
	Indicates this points out that the described operation must not be carried out. The reader should stop, use caution and fully understand the operations explained before proceeding.

## 2. About Safety

### 2.1 Important Safety Instructions






The HM-500T/HM-600T/HM-700T/HM-800T Microinverter is designed and tested according to international safety requirements. However, certain safety precautions must be taken when installing

and operating this inverter. The installer must read and follow all instructions, cautions and warnings in this installation manual.

All operations including transport, installation, start-up and maintenance, must be carried out by qualified, trained personnel.
Before installation, check the unit to ensure free of any transport or handling damage, which could affect insulation integrity or safety clearances. Choose installation location carefully and adhere to specified cooling requirements. Unauthorized removal of necessary protections, improper use, incorrect installation and operation may lead to serious safety and shock hazards or equipment damage.
Before connecting the Microinverter to the power distribution grid, contact the local power distribution grid company to get appropriate approvals. This connection must be made only by qualified technical personnel. It is the responsibility of the installer to provide external disconnect switches and Over current Protection Devices (OCPD).
Only one photo voltaic module can be connected to one input of the inverter. Do not connect batteries or other sources of power supply. The inverter can be used only if all the technical characteristics are observed and applied.
Do not install the equipment in adverse environment conditions such as flammable, explosive, corrosive, extreme high or low temperature, and humid. Do not use the equipment when the safety devices do not work or disabled.
Use personal protective equipment, including gloves and eye protection during the installation.
Inform the manufacturer about non-standard installation conditions.
Do not use the equipment if any operating anomalies are found. Avoid temporary repairs.
All repairs should be carried out using only qualified spare parts, which must be installed in accordance with their intended use and by a licensed contractor or authorized Hoymiles service representative.
Liabilities arising from commercial components are delegated to their respective manufacturers.
Anytime the inverter has been disconnected from the public network, please be extremely caution as some components can retain charge sufficient to create a shock hazard. Prior to touching any part of the inverter please ensure surfaces and equipment are under touch safe temperatures and voltage potentials before proceeding.
Hoymiles accepts No liability for damage from incorrect or improper operation.
Electrical Installation & Maintenance shall be conducted by licensed electrician and shall comply with Local Wiring Rules.

## 2.2 Explanation of Symbols

Symbol	Usage
	<p><b>Treatment</b></p> <p>To comply with European Directive 2002/96/EC on waste Electrical and Electronic Equipment and its implementation as national law, electrical equipment that has reached the end of its life must be collected separately and returned to an approved recycling facility. Any device no longer required must</p>

	be returned to an authorized dealer or approved collection and recycling facility.
	<b>Caution</b> Do not come within 8 inches (20cm) of the microinverter for any length of time while it is in operation.
	<b>Danger of high voltages</b> Danger to life due to high voltage in the microinverter.
	<b>Beware of hot surface</b> The inverter can become hot during operation. Avoid contact with metal surfaces during operation.
	<b>CE mark</b> The inverter complies with the requirements of the Low Voltage Directive for the European Union.
	<b>Read manual first</b> Please read the installation manual first before installation, operation and maintenance.

### 2.3 Radio Interference Statement

This microinverter has been tested and found to comply with the limits for CE EMC, which can provide reasonable protection against harmful energy. However, if not installed according to the instructions, the microinverter may cause harmful interference to radio equipment. There is no guarantee that the interference will not occur in a particular installation.

To confirm that the radio or television reception is interfered by this equipment, you can turn the equipment off and on. If this equipment does cause harmful interference to the radio or television equipment, please try to correct the interference by one or more of the following measures:

- 1) Relocate the receiving antenna.
- 2) Increase the separation between the microinverter and the receiving antenna.
- 3) Place the shield between the microinverter and the receiving antenna, such as metal / concrete roof.
- 4) Contact your dealer or an experienced radio/TV technician for help.

## 3. About Product

### 3.1 About 2 in 1 Unit

“The world’s First Daisy-Chain 2 in 1 Unit Microinverter” with extremely wide DC input operating voltage

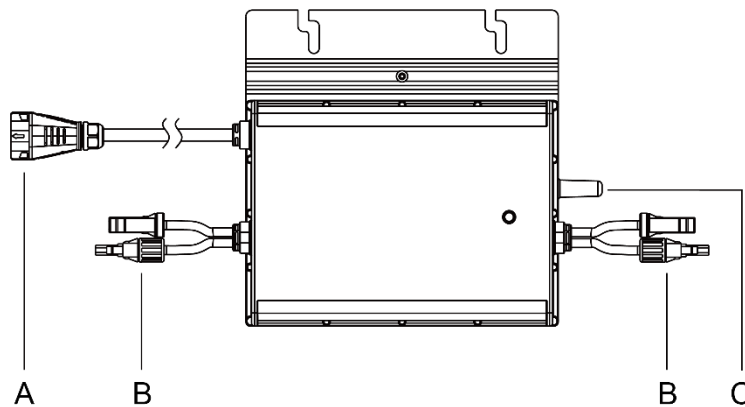
range (16-60V) and low start-up voltage (22V only).

Hoymiles 2 in 1 unit Microinverter HM-500T/HM-600/HM-700/HM-800 is the perfect selection for PV system with uneven number of panels with world's NO.1 CEC weighted efficiency – 96.50% (peak efficiency 96.70%) in 2015.

### 3.2 Highlights

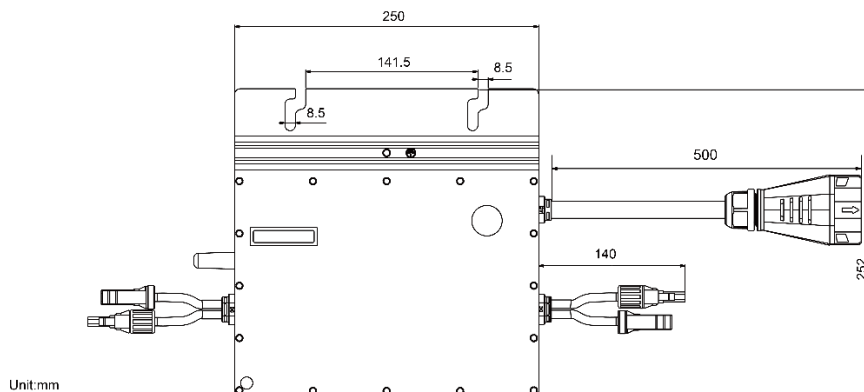
- Maximum output power up to 500W/600W/700W/800W; Adapted to 60 & 72 cells PV panels.
- Peak efficiency 96.70%; CEC weighted efficiency 96.50%.
- Static MPPT efficiency 99.80%; Dynamic MPPT efficiency 99.76% in overcast weather.
- Power factor (adjustable) 0.8 leading.....0.8 lagging.
- External antenna for stronger communication with DTU.
- High reliability: NEMA6 (IP67) enclosure; 6000V surge protection.

### 3.3 Terminals Introduction



Object	Description
A	AC Connector
B	DC Connectors
C	Antenna

### 3.4 Dimension(mm)





## 4. About Function

### 4.1 Work Mode

**Normal:** Under this mode, Microinverter is operating normally and convert DC power into AC power to support the house loads and feed in to Public Grid.

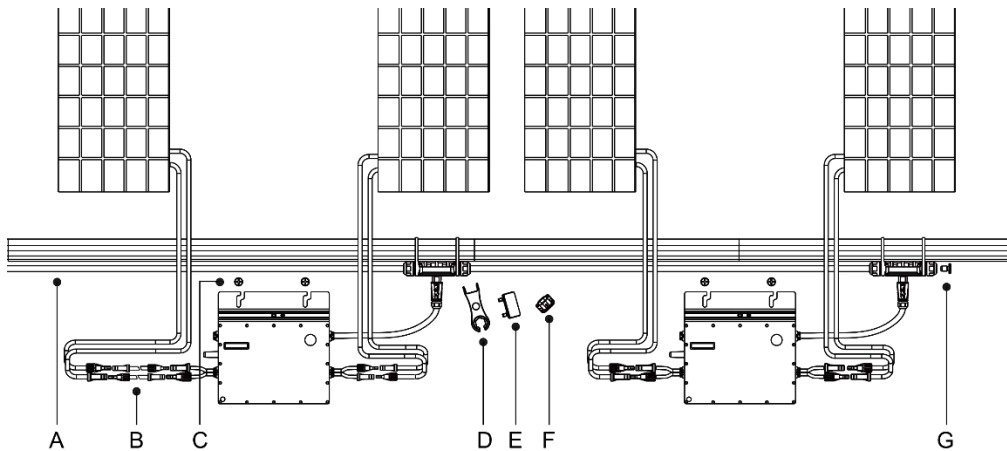
**Zero Export Control:** Under this mode Microinverter's generation is limit base on the current house loads, there will be no extra power feed in to the Public Grid.

**Stand by:** There are several circumstance that Microinverter will stay in Standby mode:

- The current condition is contradicted with Microinverter operating requirement.
- No house loads or the Export control value has been set as "0" on the DTU under the Zero Export Control mode.

## 5. About Installation

### 5.1 Accessories

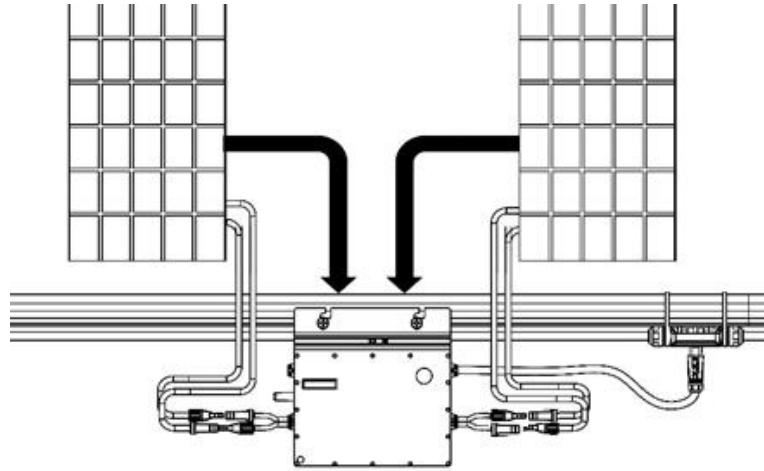


Item	Description
A	AC Bus Cable, 12/10 AWG Cable
B	DC Extension Cable, 1m
C	M8*25 screws
D	AC Connector Unlock Tool
E	Bus Connector Unlock Tool
F	AC Sub Cap
G	AC Bus End Cap, IP67

*\*Note: All accessories above are not included in the package, and need to be purchased separately. Please contact our sales representative for the price. (M8 screws need to be prepared by installer-self.)*

### 5.2 Installation Precaution

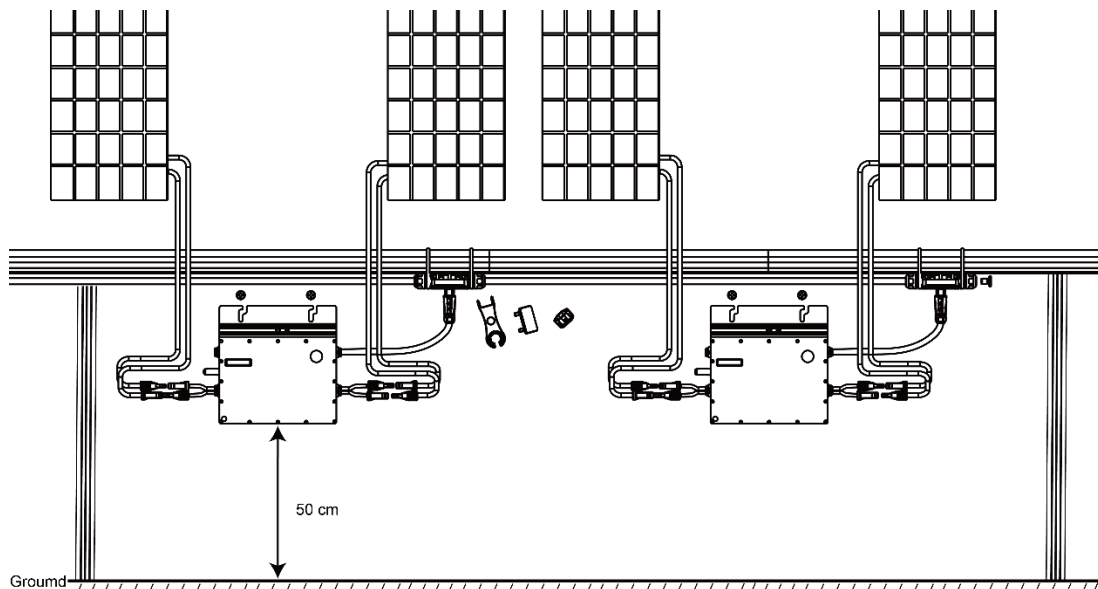
Please install the Microinverter and all DC connections under the PV module to avoid direct sunlight, rain exposure, snow layup, UV etc. Allow a minimum of 2 cm of space around the microinverter enclosure to ensure ventilation and heat dissipation.



*\*Note: For some countries the DTU will be required to meet the local grid regulation (e.g. G98/99 for UK etc.)*

### 5.3 Space Distance Required

If the microinverters are installed on a concrete roof or steel roof, the communication with the DTU may be slightly affected. Under such installation conditions, it is better for the microinverters to be installed 50cm above the roof. Otherwise, more DTUs may be required to ensure the communication quality between the DTUs and the microinverters.



### 5.4 Grounding Consideration

This microinverter is a class I equipment with basic isolation transformer and this microinverter must be earthed. There is an earth wire inside the AC cable, so usually the grounding can be done by directly by this wire. If the utility has some special requirements, the grounding can be done by bonding the mounting bracket to the racking.

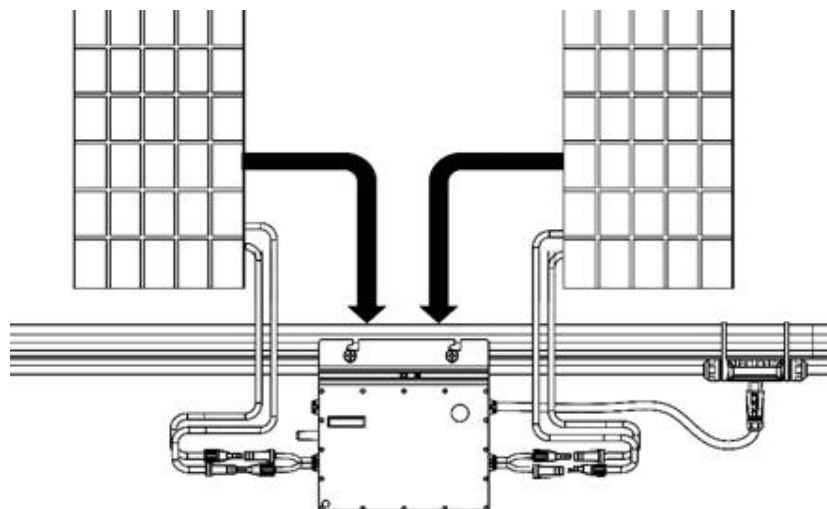
## 5.5 Preparation

Installation of the equipment is carried out based on the system design and the place in which the equipment is installed.

- ✚ The installation must be carried out with the equipment disconnected from the grid (power disconnect switch open) and with the photovoltaic modules shaded or isolated.
- ✚ Referring to the Technical Data to make sure the environmental conditions fit the microinverter's requirement (degree of protection, temperature, humidity, altitude, etc.)
- ✚ To avoid power de-rating due to an increase in the microinverter internal temperature, do not expose it to direct sunlight.
- ✚ To avoid overheating, always make sure the air flow around the inverter is not blocked.
- ✚ Do not install in places where gasses or flammable substances may be present.
- ✚ Avoid electromagnetic interference that can compromise the correct operation of electronic equipment.

*When choosing the position of installation, comply with the following conditions:*

- ✚ Install only on structures specifically conceived for photovoltaic modules (supplied by installation technicians).
- ✚ Install Microinverter underneath of the photovoltaic modules to make sure it works in the shadow. If this condition cannot be met, might trigger the inverter production de-rating.



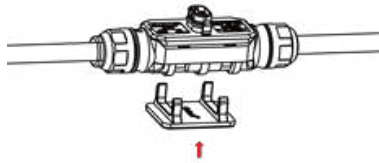
**Fig.1 Installation position of microinverter**

## 5.6 Pre-installation

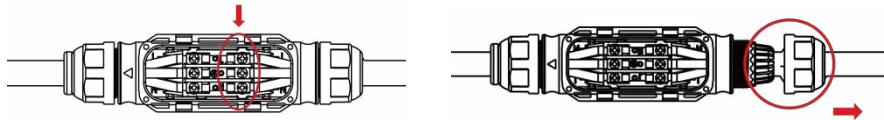
A) Plan the cable length to make the bus cable aligned with each PV module.

B) Install the AC bus end cap:

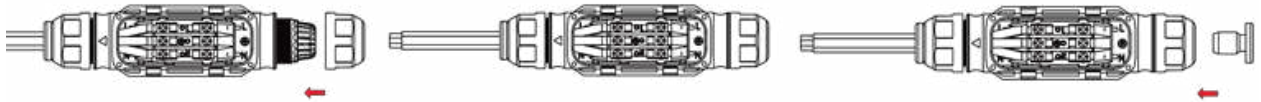
- ✓ Use the bus connector unlock tool to unlock the port upper cover;



- ✓ Loosen the three screws with the screwdriver. Untighten the cap as circled below, and remove the extra cable.



- ✓ Screw the cap back to port, and plug in the AC bus end cap.



- ✓ Plug the upper cover back to the bus connector.



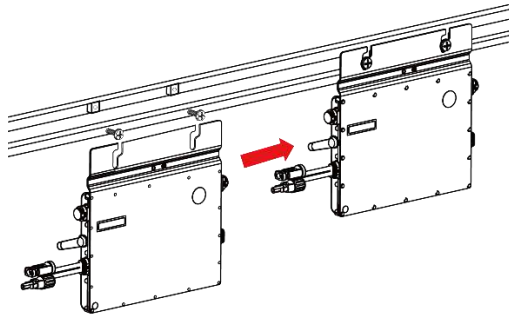
## 5.7 Installation Steps

### Step 1. Fix Microinverter on the Rail

A) Mark the approximate center of each panel on the frame.

B) Fix the screw on the rail.

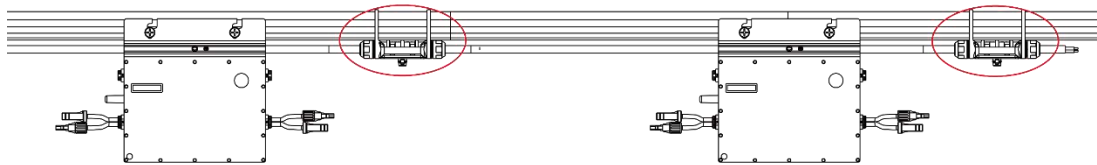
C) Hang the microinverter on the screw (shown as picture below), and tighten the screw. The silver cover side of the Microinverter should be facing the panel.



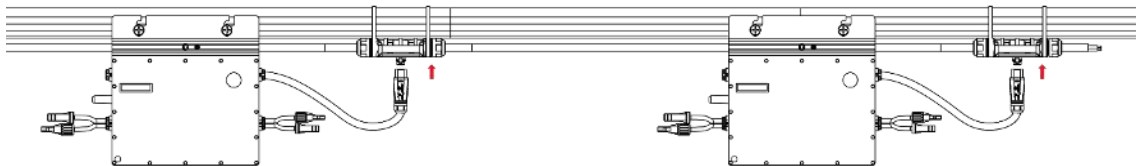
*\*Note: Please install the microinverter at least 50cm above the ground/roof for better communication with Hoymiles DTU.*

## Step 2. Complete the AC Connection

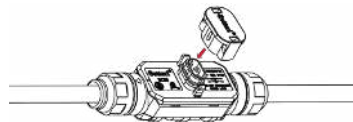
A) Attach the AC bus cable with the mounting rail, and fix the cable with tie wraps.



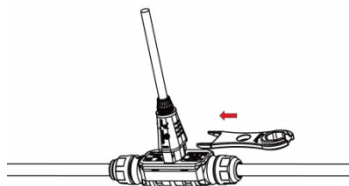
B) Push the AC connector of the microinverter to the trunk cable connector until you hear “click”.



C) If there is any vacant bus port, please plug the AC sub cap on the vacant plug to ensure waterproof and dustproof.

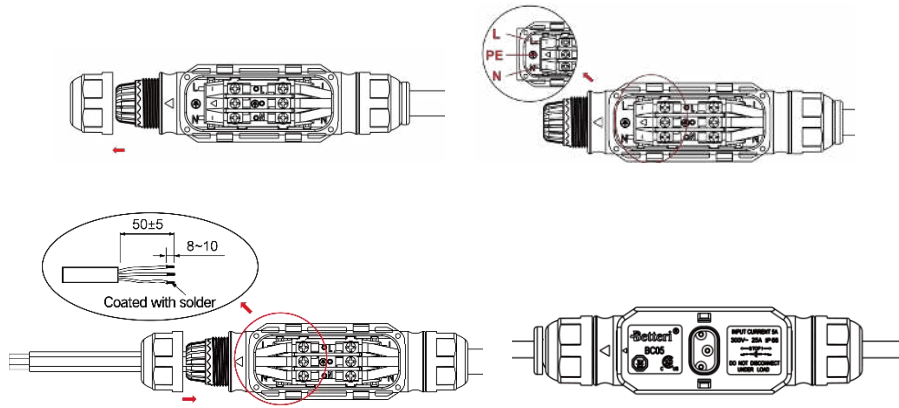


*\*Note: Under the circumstances that need to remove the inverter AC cable from bus port, please use the AC connector unlock tool and insert the tool into the side of AC port.*



## Step 3. Install AC End Cable

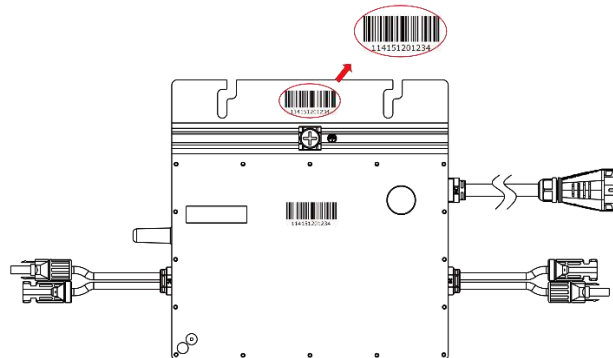
A) Prepare the AC end cable with the proper length, and insert one side of the cable into the cap. Match the L, N and Ground line into the slot accordingly. Tighten the screws, and then tighten the cap back to the port. Plug the upper cover back to the bus connector.





B) Connect the other side of the AC end cable to the distribution box, and wire it to the local grid network.

#### Step 4. Create an Installation Map

A) Peel the removable serial number label from each microinverter (The position of the label is shown as below).

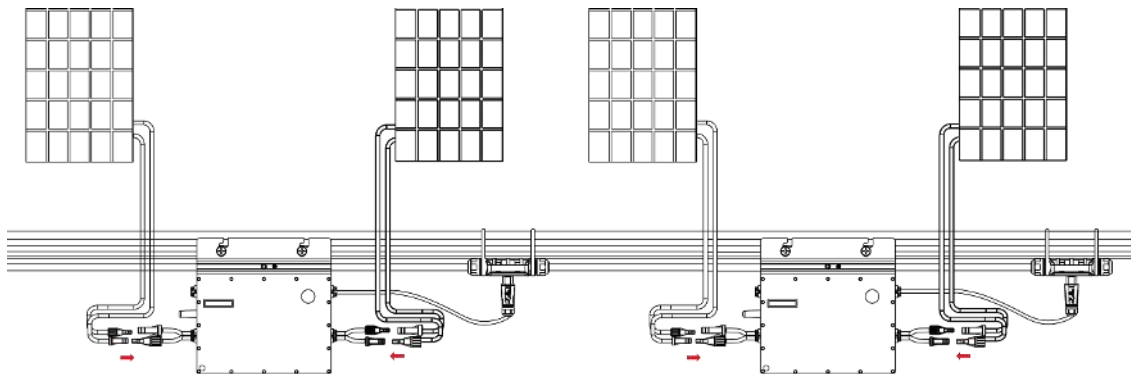


B) Affix the serial number label to the respective location on the installation map.

N S E W (circle one) 	Panel Group: Azimuth: Tilt: Sheet ___ of ___			Customer Information:				DTU Serial Number:							
	1	2	3	4	5	6	7	8	9	10	11	12	13	14	
A															
B															
C															
D															

**Step 5. Connect PV Modules**

- A) Mount the PV modules above the microinverter.
- B) Connect the PV modules' DC cables to the DC input side of the microinverter.



**Step 6. Energize the System**

- A) Turn on the AC breaker of the branch circuit.
- B) Turn on the main AC breaker of the house. Your system will start to generate power after about two-minute wait time.

**Step 7. Set Up the Monitoring System**

Refer to the [DTU User Manual](#) or [DTU Quick Install Guide](#), and [Quick Installation Guide for HMP Online Registration](#) to install the DTU and set up the monitoring system.

Product information is subject to change without notice. (Please download reference manuals at

www.hoymiles.com)

## 6. Troubleshooting

This microinverter can only work with the new Hoymiles DTU (DTU-Pro, DTU-Lite and DTU-W100/DTU-G100) with the following serial number.

Model	Serial Number
DTU-Pro	10F7xxxxxxxx
	10F8xxxxxxxx
	10FAxxxxxxxx
DTU-G100	10D2xxxxxxxx
DTU-W100	10D3xxxxxxxx
DTU-Lite	10D6xxxxxxxx

### 6.1 Troubleshooting List

Alarm Code	Alarm Name	Suggestion
121	Over temperature protection	<ol style="list-style-type: none"> <li>1. Check the ventilation and ambient temperature at the microinverter installation position.</li> <li>2. If the ventilation is poor or the ambient temperature exceeds the limit, improve the ventilation and heat dissipation.</li> <li>3. If both the ventilation and ambient temperature meet the requirements, contact your dealer or Hoymiles technical support.</li> </ol>
125	Grid configuration parameter error	<ol style="list-style-type: none"> <li>1. Check if the grid configuration parameter is correct and upgrade again.</li> <li>2. If the fault still exists, contact your dealer or Hoymiles technical support.</li> </ol>
126	Software error code 126	<ol style="list-style-type: none"> <li>1. If the alarm occurs accidentally and the microinverter can still work normally, no special treatment is required.</li> <li>2. If the alarm occurs frequently and cannot be recovered, contact your dealer or Hoymiles technical support.</li> </ol>
127	Firmware error	<ol style="list-style-type: none"> <li>1. Check if the firmware is correct and upgrade again.</li> <li>2. Check the communication between DTU and Hoymiles monitoring system, the communication between DTU and microinverter. Then try again.</li> <li>3. If the fault still exists, contact your dealer or Hoymiles technical support.</li> </ol>
128	Software error code 128	<ol style="list-style-type: none"> <li>1. If the alarm occurs accidentally and the microinverter can still work normally, no special treatment is required.</li> </ol>



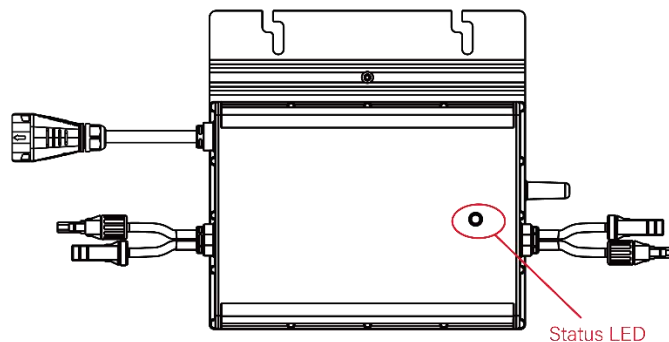
		2. If the alarm occurs frequently and cannot be recovered, contact your dealer or Hoymiles technical support.
129	Software error code 129	1. If the alarm occurs accidentally and the microinverter can still work normally, no special treatment is required. 2. If the alarm occurs frequently and cannot be recovered, contact your dealer or Hoymiles technical support.
130	Offline	1. Please make sure that the microinverter works normally. 2. Check the communication status between the DTU and hoymiles monitoring system or between the DTU and the microinverter. If the communication is poor, try to make some improvements. 3. If the alarm occurs frequently and cannot be recovered, contact your dealer or Hoymiles technical support.
141	Grid overvoltage	1. If the alarm occurs accidentally, the grid voltage may be abnormal temporarily. The microinverter can recover automatically after grid voltage becomes normal. 2. If the alarm occurs frequently, check whether the grid voltage is within the acceptable range. If no, contact the local power operator or change the grid overvoltage protection limit via Hoymiles monitoring system with the consent of the local power operator.
142	10 min value grid overvoltage	1. If the alarm occurs accidentally, the grid voltage may be abnormal temporarily. The microinverter can recover automatically after grid voltage becomes normal. 2. If the alarm occurs frequently, check whether the grid voltage is within the acceptable range. If no, contact the local power operator or change the grid overvoltage protection limit via Hoymiles monitoring system with the consent of the local power operator.
143	Grid undervoltage	1. If the alarm occurs accidentally, the grid voltage may be abnormal temporarily. The microinverter can recover automatically after grid voltage becomes normal. 2. If the alarm occurs frequently, check whether the grid voltage is within the acceptable range. If no, contact the local power operator or change the grid undervoltage protection limit via Hoymiles monitoring system with the consent of the local power operator. 3. If the fault still exists, check the AC switch or AC wiring.
144	Grid overfrequency	1. If the alarm occurs accidentally, the grid frequency may be abnormal temporarily. The microinverter can recover automatically after grid frequency becomes normal. 2. If the alarm occurs frequently, check whether the grid frequency is within the acceptable range. If no, contact the local power operator or change the grid overfrequency protection limit via Hoymiles monitoring system with the consent of the local power operator.
145	Grid underfrequency	1. If the alarm occurs accidentally, the grid frequency may be abnormal temporarily. The microinverter can recover automatically after grid frequency becomes normal.

		2. If the alarm occurs frequently, check whether the grid frequency is within the acceptable range. If no, contact the local power operator or change the grid underfrequency protection limit via Hoymiles monitoring system with the consent of the local power operator.
146	Rapid grid frequency change rate	1. If the alarm occurs accidentally, the grid frequency may be abnormal temporarily. The microinverter can recover automatically after grid frequency becomes normal. 2. If the alarm occurs frequently, check whether the grid frequency change rate is within the acceptable range. If no, contact the local power operator or change the grid frequency change rate limit via Hoymiles monitoring system with the consent of the local power operator.
147	Power grid outage	Please check whether there is a power grid outage.
148	Grid disconnection	Please check whether the AC switch or AC wiring is normal.
149	Island detected	1. If the alarm occurs accidentally, the grid voltage may be abnormal temporarily. The microinverter can recover automatically after grid voltage becomes normal. 2. If the alarms occur frequently on all the microinverters in your station, contact the local power operator to check whether there is a grid island. 3. If the alarm still exists, contact your dealer or Hoymiles technical support.
205	Input port1 overvoltage	1. Please make sure that the PV module open-circuit voltage is less than or equal to the maximum input voltage. 2. If the PV module open-circuit voltage is within the normal range, contact your dealer or Hoymiles technical support.
206	Input port2 overvoltage	1. Please make sure that the PV module open-circuit voltage is less than or equal to the maximum input voltage. 2. If the PV module open-circuit voltage is within the normal range, contact your dealer or Hoymiles technical support.
207	Input port1 undervoltage	1. Please make sure that the PV module open-circuit voltage is less than or equal to the maximum input voltage. 2. If the PV module open-circuit voltage is within the normal range, contact your dealer or Hoymiles technical support.
208	Input port2 undervoltage	1. Please make sure that the PV module open-circuit voltage is less than or equal to the maximum input voltage. 2. If the PV module open-circuit voltage is within the normal range, contact your dealer or Hoymiles technical support.
209	Port1 No input	1. Please confirm whether this port is connected to the PV module; 2. If the PV module is connected, please check the DC cable connection between this port and the PV module.
210	Port2 No input	1. Please confirm whether this port is connected to the PV module; 2. If the PV module is connected, please check the DC cable connection between this port and the PV module.
301	Hardware Error Code 301	1. If the alarm occurs accidentally and the microinverter can still work normally, no special treatment is required.

		2. If the alarm occurs frequently and cannot be recovered, contact your dealer or Hoymiles technical support.
302	Hardware Error Code 302	1. If the alarm occurs accidentally and the microinverter can still work normally, no special treatment is required. 2. If the alarm occurs frequently and cannot be recovered, contact your dealer or Hoymiles technical support.
303	Hardware Error Code 303	1. If the alarm occurs accidentally and the microinverter can still work normally, no special treatment is required. 2. If the alarm occurs frequently and cannot be recovered, contact your dealer or Hoymiles technical support.
304	Hardware Error Code 304	1. If the alarm occurs accidentally and the microinverter can still work normally, no special treatment is required. 2. If the alarm occurs frequently and cannot be recovered, contact your dealer or Hoymiles technical support.
305	Hardware Error Code 305	1. If the alarm occurs accidentally and the microinverter can still work normally, no special treatment is required. 2. If the alarm occurs frequently and cannot be recovered, contact your dealer or Hoymiles technical support.
306	Hardware Error Code 306	1. If the alarm occurs accidentally and the microinverter can still work normally, no special treatment is required. 2. If the alarm occurs frequently and cannot be recovered, contact your dealer or Hoymiles technical support.
307	Hardware Error Code 307	1. If the alarm occurs accidentally and the microinverter can still work normally, no special treatment is required. 2. If the alarm occurs frequently and cannot be recovered, contact your dealer or Hoymiles technical support.
308	Hardware Error Code 308	1. If the alarm occurs accidentally and the microinverter can still work normally, no special treatment is required. 2. If the alarm occurs frequently and cannot be recovered, contact your dealer or Hoymiles technical support.

## 6.2 Status LED Indicator

The LED flashes five times at start up. All green flashes (1s gap) indicate normal start up.



### (1) Start-up Process

- ✓ Flashing green five times (0.3s gap): Start-up success
- ✓ Flashing Red five times (0.3s gap): Start-up failure

### (2) Run Process

- ✓ Flashing Fast Green (1s gap): Producing power.
- ✓ Flashing Slow Green (2s gap): Producing power but one input is abnormal.
- ✓ Flashing Slow Green (4s gap): Producing power but there is no communication with DTU.
- ✓ Flashing Red (1s gap): Not producing power AC grid invalid (Voltage or frequency out of range).
- ✓ Flashing Red (0.5s gap): There is a fault except the abnormality of grid.

### (3) Other Status

- ✓ Flashing Red and Green alternately: Firmware is corrupted.

*\*Note: All the faults are reported to the DTU, refer to the local APP of the DTU or Hoymiles Monitoring Platform for more information.*

## 6.3 Insulation Resistance Detection

There is a resistance sensor in the microinverter to measure the resistance between the outputs of PV module and the ground. If there is a problem with PV module insulation, DC wiring or connectors of the module and so on, the resistance between the outputs of the module and the ground may decrease. If this resistance drops below a preset threshold, the microinverter will stop producing power and report this ground fault. This fault will persist until it is cleared on Hoymiles Monitoring Platform. This fault will persist until the microinverter is rebooted.

Please note that this fault cannot be cleared if the cause of the failure is still present. If the fault persists, contact your installer or Hoymiles for possible replacement.

## 6.4 On-site Inspection (For qualified installer only)

To troubleshoot an inoperable microinverter, follow the steps in the order shown.

1. Verify the utility voltage and frequency are within ranges shown in the in appendix Technical Data of this microinverter.
2. Check the connection to the utility grid. Verify utility power is present at the inverter in question by removing AC, then DC power. Never disconnect the DC wires while the microinverter is producing power. Re-connect the DC module connectors and watch for five short LED flashes.

3. Check the AC branch circuit interconnection between all the microinverters. Verify each inverter is energized by the utility grid as described in the previous step.
4. Make sure that any AC breaker are functioning properly and are closed.
5. Check the DC connections between the microinverter and the PV module.
6. Verify the PV module DC voltage is within the allowable range shown in appendix Technical Data of this manual.
7. If the problem persists, please call Hoymiles customer support.

### **Warning**

- Do not try to repair the microinverter. If the troubleshooting fails, please return it to the factory for replacement.

## 6.5 Routine Maintenance

1. Only authorized personnel are allowed to carry out the maintenance operations and are responsible to report any anomalies.
2. Always use the personal protective equipment provided by the employer when carry out the maintenance operation.
3. During normal operation, check that the environmental and logistic conditions are correct. Make sure that the conditions have not changed over time and that the equipment is not exposed to adverse weather conditions and has not been covered with foreign bodies.
4. DO NOT use the equipment if any problems are found, and restore the normal conditions after the fault removed.
5. Conduct an annual inspection on various components, and clean the equipment with a vacuum cleaner or special brushes.



**Do not attempt to dismantle the Microinverter or make any internal repairs! In order to preserving the integrity of safety and insulation, the Microinverters are not designed to allow internal repairs!**



**The AC output wiring harness (AC drop cable on the Microinverter) cannot be replaced. If the cord is damaged the equipment should be scrapped.**



**Maintenance operations must be carried out with the equipment disconnected from the grid (power switch open) and the photovoltaic modules obscured or isolated, unless otherwise indicated.**



For cleaning, do not use rags made of filamentary material or corrosive products that may corrode parts of the equipment or generate electrostatic charges.



WARNING

Avoid temporary repairs. All repairs should be carried out using only genuine spare parts.



CAUTION

Please install the Microinverter at least 50cm above the ground/roof for better communication with Hoymiles DTU. Please contact with Hoymiles technical engineer if there is any special circumstance.



CAUTION

Each branch should provide a circuit breaker, but no need for central protection unit.

## 6.6 Replace Microinverter

### a. How to remove the Microinverter.

- De-energize the AC branch circuit breaker.
- Remove the PV panel from the racking, and cover the panel.
- Using a meter to measure and make sure there is no current flowing in the DC wires between panel and microinverter.
- Use the DC disconnect tool to remove the DC connectors.
- Use the AC disconnect tool to remove the AC connectors.
- Un-screw the fixing screw on the top of the microinverter and remove the microinverter from the PV racking.

### b. How to replace the Microinverter:

- Please record down the new Microinverter's SN.
- Please make sure the AC branch circuit breaker is off, and following the Microinverter installation steps to install the replacement unit.
- Go to the monitoring platform (if customer already register this station online), please access the "Device" page and find the device that you just replaced. Please click "Device maintenance" button to jump to the new page, and select "Device Replace". Enter the new Microinverter's SN and click "Ok" button to complete the replacement.

The screenshot shows a web interface with a navigation bar (Dashboard, Layout, **Devices**, Setting) and a 'Back' button. Below the navigation is a search area with a dropdown menu set to 'All Devices', a text input field 'Please enter serial number', and a 'Search' button. To the right are 'List' and 'Device Relationship' buttons. The main content is a table with the following data:

Device SN	Device Type	Device Status	Model	Grid Profile Version	Hardware Ver.	Software Ver.	Action
1009361403215	DTU	Online	-		H08.14.01	V00.01.00	[Icon] [Icon]
104162808103	Microinverter	Offline	MI-700LV	1.1.1 (MEX_NOM_127V)	H15.02.00	V00.02.40	[Icon] [Icon] <b>Device maintenance</b>
104162807937	Microinverter	Offline	MI-700LV	1.1.1 (MEX_NOM_127V)	H15.02.00	V00.02.40	[Icon] [Icon]
104162807890	Microinverter	Offline	MI-700LV	1.1.1 (MEX_NOM_127V)	H15.02.00	V00.02.40	[Icon] [Icon]

## 7. Decommissions

### 7.1 Decommissions

Disconnect the inverter from DC input and AC output; remove all connection cable from the Microinverter; remove the Microinverter from the frame.

Please pack the Microinverter with the original packaging, or use the carton box that can afford 5kg weight and can be fully closed if the original packaging is no longer available.

### 7.2 Storage and Transportation

Hoymiles packages and protects individual components using suitable means to make the transport and subsequent handling easier. Transportation of the equipment, especially by road, must be carried out by suitable ways for protecting the components (in particular, the electronic components) from violent, shocks, humidity, vibration, etc. Please dispose the packaging elements in appropriate ways to avoid unforeseen injury.

It is the customer's responsibility to examine the condition of the components transported. Once receiving the Microinverter, it is necessary to check the container for any external damage and verify receipt of all items. Call the delivering carrier immediately if damage or shortage is detected. If inspection reveals damage to the inverter, contact the supplier, or authorized distributor for a repair/return determination and instructions regarding the process.

The microinverter storage temperature is -40-85℃.

### 7.3 Disposal

- If the equipment is not used immediately or is stored for long periods, check that it is correctly packed. The equipment must be stored in well-ventilated indoor areas that do not have characteristics that might damage the components of the equipment.
- Take a complete inspection when restarting after a long time or prolonged stop.
- Please dispose the equipment properly after scrapping, which are potentially harmful to the environment, in accordance with the regulations in force in the country of installation.

## 8. Compliance Consideration

### 8.1 Earth Fault Alarm Notification

This inverter complies with IEC 62109-2 clause 13.9 for earth fault alarm monitoring.

If an Earth Fault Alarm occurs, the LED on the microinverter will light up solid red every 0.5 second.

An external indication of earth fault alarm can be provided by the connecting the PV System to Hoymiles monitoring app/portal. For details of how to configure monitoring please refer to document “HMP Operating Guide (Webpage) V2.0” and “HMP Operation Guide (APP)”.

### 8.2 Power Quality Response Modes

This inverter supports the following power quality response modes as per AS 4777.2:2015: Power derating for voltage variation (Volt-Watt mode).

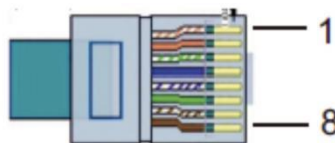
The inverter output power varies in response to the voltage at its terminal. This mode can be enabled via gridprofile module on Hoymiles monitoring platform. Please refer to document “Technical Note-How to set Hoymiles 3Gen Grid Profile”, “S-miles Cloud Operating Guide (Webpage)” and “S-miles Cloud Operation Guide (APP)” or contact Tech Support for more information.

### 8.3 Country Grid Code Selecting

The country code of the inverter can be selected on Hoymiles Monitoring Platform, please refer to document “Technical Note-How to set Hoymiles 3Gen Grid Profile” for more information.

### 8.4 DRM

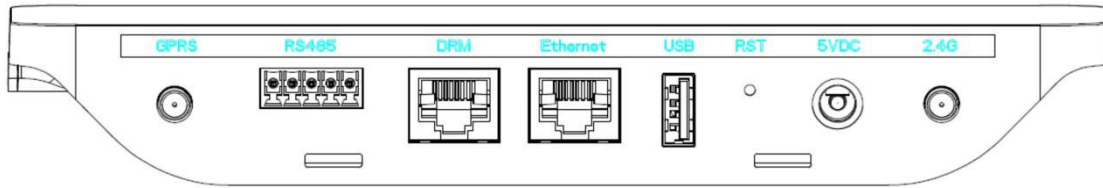
DRM is provided to support several demand response modes by giving control signals as below.



PIN	1	2	3	4	5	6	7	8
Definition	DRM 5	DRM 6	DRM 7	DRM 8	RefGen	Com/DRM0	V+	V-

This microinverter can support DRM0/5/6/7/8 by installed with DTU-Pro. The DRM interface is on the Hoymiles gateway DTU-Pro as follows.





## 9. Technical Data

### Warning

Be sure to verify the following before installing Hoymiles Microinverter System.

Verify that the voltage and current specifications of the PV module must match those of the microinverter.

The maximum open circuit voltage rating of the PV module must within the operating voltage range of the microinverter.

The maximum current rating at MPP is recommended to be equal to or less than the maximum input DC current. But the maximum short circuit current must be equal to or less than the maximum input DC short circuit current.

The output DC power of PV module is NOT recommended to exceed 1.35 times the output AC power of the microinverter. Refer to “Hoymiles Warranty Terms & Conditions” for more information.

### 9.1 DC Input

Model	HM-500T	HM-600T	HM-700T	HM-800T
Commonly used module power (W)	Up to 310 (single panel)	Up to 380 <sup>[1]</sup> (single panel)	Up to 440 <sup>[1]</sup> (single panel)	Up to 500 <sup>[1]</sup> (single panel)
Peak power MPPT voltage range (V)	27~48	29~48	33~48	34~48
Start-up voltage (V)	22	22	22	22
Operating voltage range (V)	16~60	16~60	16~60	16~60
Maximum input voltage (V)	60	60	60	60
Maximum input current (A)	2*10.5	2*11.5	2*11.5	2*12.5
Maximum input short circuit current (A)	2*15	2*15	2*15	2*15
Maximum backfeed current to array (A)	0			

### 9.2 AC Output

Model	HM-500T	HM-600T	HM-700T	HM-800T
Rated output apparent power (VA)	500	600	700	800

Rated output current (A)	2.17@230V 2.08@240V	2.61@230V 2.50@240V	3.04@230V 2.92@240V	3.48@230V 3.33@240V
Nominal output voltage/range (V)	230/180-275 240/180-275	230/180-275 240/180-275	230/180-275 240/180-275	230/180-275 240/180-275
Nominal frequency/range (Hz)	45-55			
Power factor	>0.99 default 0.8 leading.....0.8 lagging			
Output current harmonic distortion	<3%	<3%	<3%	<3%
Maximum units per branch <sup>[2]</sup>	10@230V 10@240V	8@230V 8@240V	7@230V 7@240V	6@230V 6@240V

### 9.3 Efficiency, Safety and Protection

Model	HM-500T	HM-600T	HM-700T	HM-800T
Peak inverter efficiency	96.70%	96.70%	96.70%	96.70%
CEC weighted efficiency	96.50%	96.50%	96.50%	96.50%
Nominal MPPT efficiency	99.80%	99.80%	99.80%	99.80%
Night time power consumption (mW)	<50	<50	<50	<50

### 9.4 Mechanical Data

Model	HM-500T	HM-600T	HM-700T	HM-800T
Ambient temperature range (°C)	-40 ~ +65	-40 ~ +65	-40 ~ +65	-40 ~ +65
Storage temperature range (°C)	-40 ~ +85	-40 ~ +85	-40 ~ +85	-40 ~ +85
Dimensions (W×H×D mm)	250×170×28	250×170×28	250×170×28	250×170×28
Weight (kg)	2.6	2.6	2.6	2.6
Enclosure rating	Outdoor-NEMA (IP67)			
Cooling	Natural convection – No fans			
Altitude	<2000m			
Pollution degree	PD3			

### 9.5 Features

Model	HM-500T	HM-600T	HM-700T	HM-800T
Topology	High-Frequency Transformers			
Communication	2.4GHz Proprietary RF(Nordic)			
Monitoring	Hoymiles Monitoring System (Hoymiles DTU is required)			
Warranty	12 years standard, 25 years optional			
Compliance	VDE-AR-N 4105:2018, EN50549-1:2019, VFR2019,			



	AS 4777.2:2015, IEC/EN 62109-1/-2, IEC/EN 61000-3-2/-3, IEC/EN-61000-6-1/-2/-3/-4
--	--

[1] Maximum DC power for each input at 25°C should be limited to 350W according to AS/NZS 5033:2014 4.3.12

[2] Nominal voltage/frequency range can be changed due to the requirements of local power department

Appendix 1:  
Installation Map

To sheet \_\_\_\_\_

	<b>Panel Group:</b> <b>Azimuth:</b> <b>Tilt:</b> <b>Sheet ___ of ___</b>		<b>Customer Information:</b>				<b>DTU Serial Number:</b>								
															1
	A	B	C	D											

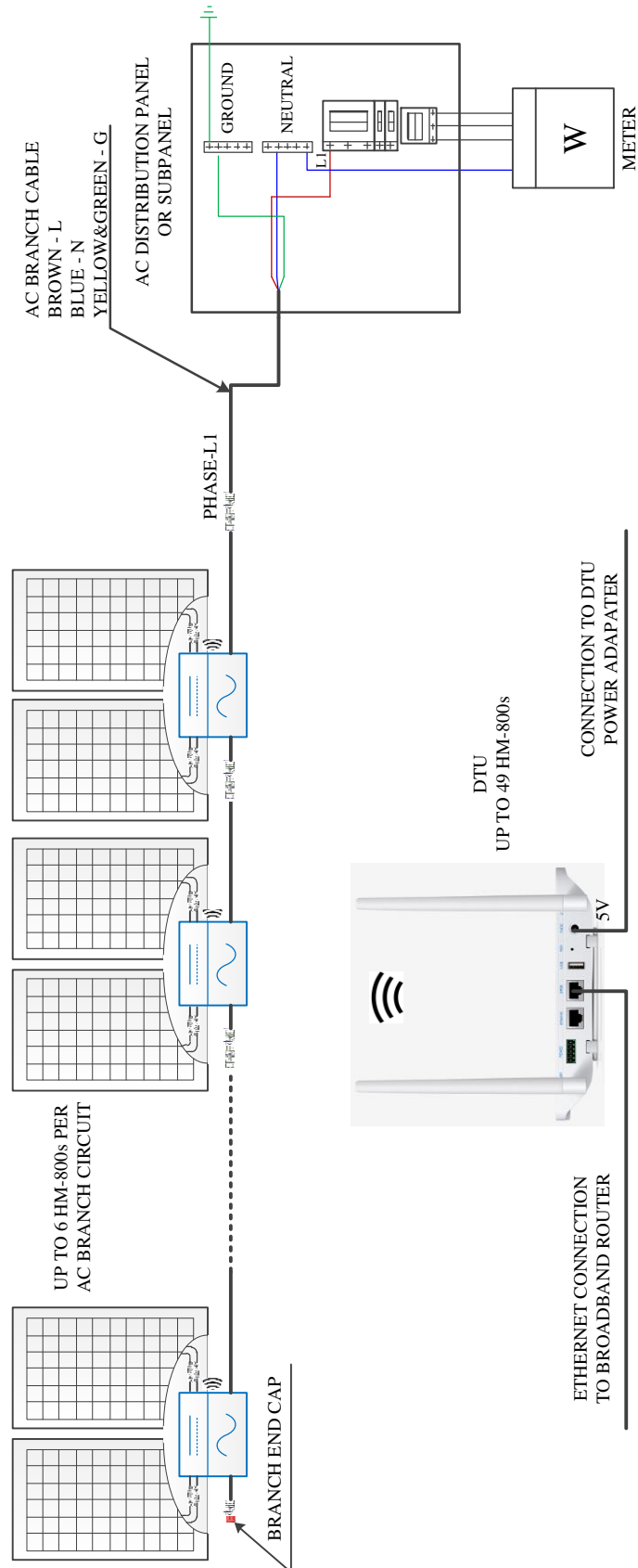
To sheet \_\_\_\_\_

To sheet \_\_\_\_\_

To sheet \_\_\_\_\_

Appendix 2:

WIRING DIAGRAM – 230VAC SINGLE PHASE:



**WIRING DIAGRAM – 230VAC / 400VAC THREE PHASE:**

